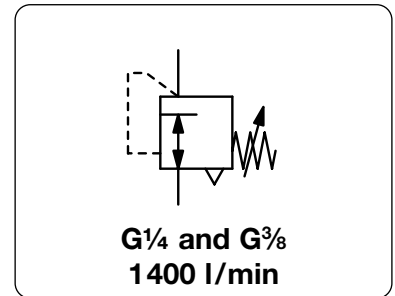


PRECISION PRESSURE REGULATOR WITHOUT CONSTANT BLEED

R100

Description	Regulator provides precision regulation in high flow and high relief applications.		
Media	compressed air or non-corrosive gases		
Supply pressure	max. 18 bar		
Accuracy	at supply pressure variation of 7 bar: < 7 mbar pressure deviation response sensitivity: < 2 mbar		
Air consumption	without constant bleed		
Adjustment	by handwheel with locknut		
Relieving function	relieving		
Relief capacity	200 l/min at 1.5 bar outlet and 0.35 bar overpressure above setpoint		
Gauge port	G $\frac{1}{4}$ on both sides of the body, screw plugs supplied		Mounting position any
Temperature range	0 °C to 80 °C / 32 °F to 194 °F, for appropriately conditioned compressed air down to -40 °C / -40 °F		
Material	Body: zinc die-cast	Inner valve: aluminium, brass and neoprene	Elastomer: NBR/Buna-N



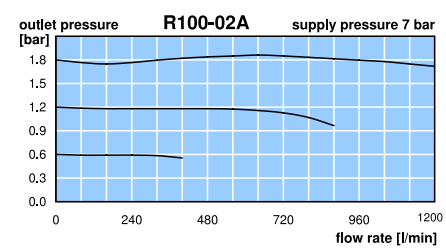
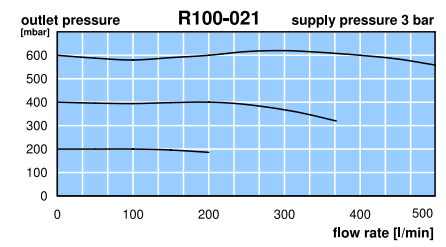
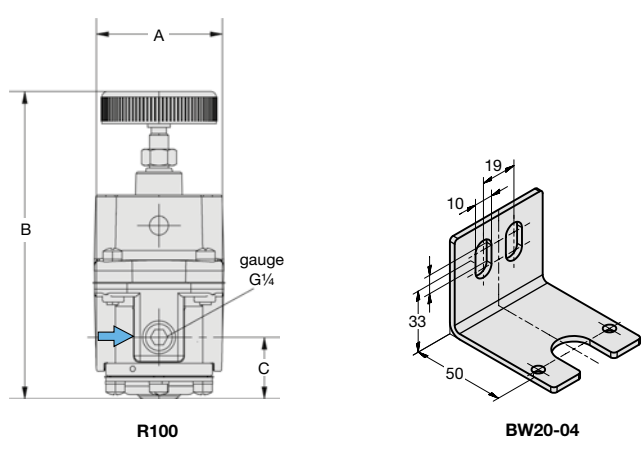
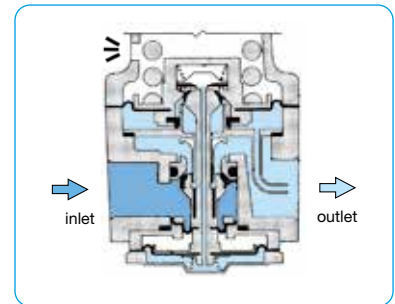
Dimensions			K _v -value (m ³ /h)	Flow rate m ³ /h*1 l/min*1	Connection thread G	Pressure range bar	Order number
A	B	C					

Precision pressure regulator							supply pressure max. 18 bar, relieving, without constant bleed	R100
54	129	25	0.73	78	1300	G $\frac{1}{4}$	0.03 ... 0.7	R100-021
							0.03 ... 2.0	R100-02A
							0.07 ... 4.0	R100-02B
							0.14 ... 10	R100-02C
54	129	25	0.78	84	1400	G $\frac{3}{8}$	0.03 ... 0.7	R100-031
							0.03 ... 2.0	R100-03A
							0.07 ... 4.0	R100-03B
							0.14 ... 10	R100-03C



Special options, add the appropriate letter		
NPT	connection thread	R100-0...N
tamper-proof cap	aluminium, adjustment by screwdriver, total height 139 mm	R100-0...T

Accessories, enclosed		
pressure gauge	Ø 50 mm, 0...*2 bar, G $\frac{1}{4}$	MA5002-...*2
mounting bracket	made of steel, including mounting screws	BW20-04



*1 at 7 bar supply pressure and 1.4 bar outlet pressure
*2 01 = 0...1 bar, 02 = 0...2.5 bar, 04 = 0...4 bar, 10 = 0...10 bar